



# C-SERIES 18C & 19C UNIVERSAL TEMPERATURE / PROCESS CONTROLLER

The Athena 18C and 19C are available as 1/8 DIN (18C) vertical or 1/8 DIN (19C) horizontal models. Both panel mounted, auto-tuning controllers can be used for precise control of a single loop with two independent outputs field-configurable as direct acting, reverse acting, and 2 alarms. RS-232 or RS-485 communications interfaces are available for both models, and two digital LED displays provide visual indication of various controller functions.

## KEY FEATURES

- ▲ Field-Configurable Universal Inputs
- ▲ User-Selectable Ramp to Setpoint
- ▲ 8-Level Ramp/Soak Control
- ▲ Bumpless Auto/Manual Transfer
- ▲ NEMA 4X (IP65) Dust and Splash-Proof Front Panel
- ▲ Decimal Display in 0.1° for Measured Temperatures Under 1000° F or °C
- ▲ On/Off Through Full PID Operation (P, PI, PD, PID)
- ▲ Adjustable Hysteresis and Deadband
- ▲ Outputs Configurable as Alarms
- ▲ Field-Configurable Process or Deviation Alarms; Latching or Non-Latching; Band and Inverse Band
- ▲ Dual Output/Dual Alarm Capabilities
- ▲ UL, cUL, and CE Approvals

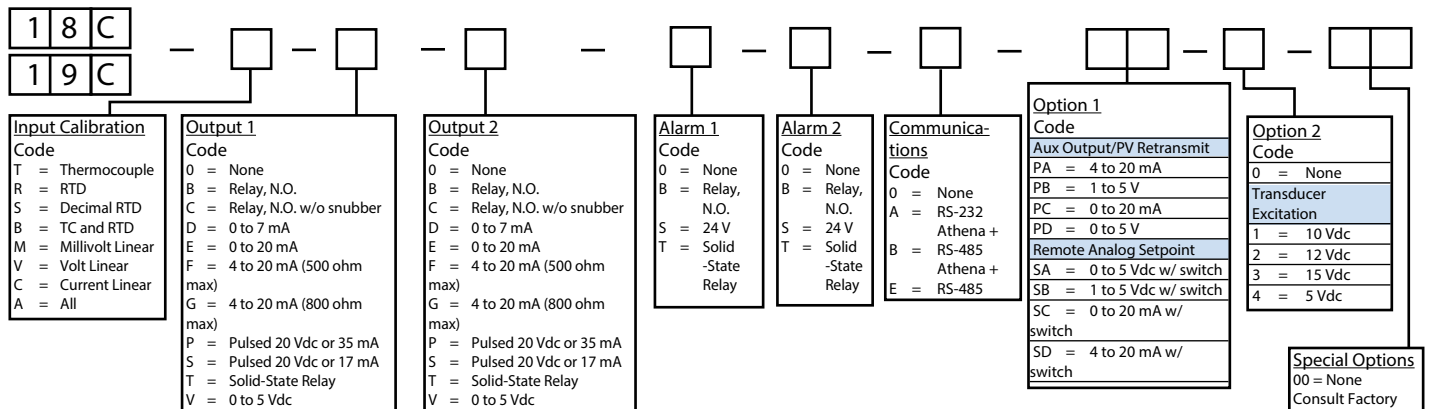


- ▲ Options Include Multi-Function Contact/Digital Input, Transducer Excitation, and Auxiliary Output
- ▲ Special and Custom Options Available

## RANGE INFORMATION

Input	Range
"B"	32°F to 3308°F (0°C to 1820°C)
"C"	32°F to 4199°F (0°C to 2315°C)
"E"	-238°F to 1832°F (-150°C to 1000°C)
"J"	-328°F to 1400°F (-200°C to 760°C)
"K"	-454°F to 2462°F (-270°C to 1354°C)
"N"	-450°F to 2372°F (-268°C to 1300°C)
"NNM"	32°F to 2570°F (0°C to 1410°C)
Millivolt Linear (Scalable)	0 to 50mV / 10 to 50mV / 0 to 10mV / 0 to 50mV / 0 to 100mV
"R"	-58°F to 3214°F (-50°C to 1768°C)
"S"	-58°F to 3214°F (-50°C to 1768°C)
"T"	-454°F to 2250°F (-270°C to 1232°C)
Platinel II	-148°F to 2250°F (-100°C to 1232°C)
100 ohm RTD	-328°F to 1562°F (-200°C to 850°C)
100 ohm RTD (decimal)	-328°F to 707°F (-200°C to 375°C)
Current Linear (scalable)	4 to 20mA, 0 to 20mA
Volt Linear (scalable)	0 to 1V / 0 to 5V / 0 to 10V / 0 to 5V

## ORDERING INFORMATION



# TECHNICAL SPECIFICATIONS

## OPERATING LIMITS

Ambient Temperature	32°F to 131°F (0°C to 55°C)
Relative Humidity Tolerance	90%, non-condensing
Line Voltage	100 to 250 Vac 125 to 300 Vdc 24 Vac/dc optional
Power Consumption	Less than 6 VA (instrument)

## PERFORMANCE

Accuracy	±0.20% of full scale (±0.10% typical), ±1 digit
Setpoint Resolution	1 count / 0.1 count
Repeatability	±1 count
Temperature Stability	5 µV/°C (maximum)
TC Cold-End Tracking	0.05°C/°C ambient
Noise Rejection	100 dB common mode 70 dB series mode
Process Sampling	10 Hz (100 ms)
Digital Filtering	Adjustable 0.1 to 10 sec

## CONTROL CHARACTERISTICS

Setpoint Limits	Span of Sensor
Alarms	Adjustable for high/low; selectable process or deviation
Proportional Band	2 to span of sensor
Integral	0 to 9600 sec
Derivative	0 to 2400 sec
Cycle Time	0.2 to 120 sec
Control Hysteresis	1 to span of sensor
Dead Band (Output 1 & 2)	Range of sensor
Ramp to Setpoint	1 to 9999 min
Auto-Tune	Operator initiated from front panel
Manual Control	Operator initiated from front panel

## INPUTS

Thermocouple	B, C, E, J, K, N, NNM, R, S, T, Platinel II Maximum lead resistance, 100 ohms for rated accuracy
RTD	Platinum 2- and 3-wire, 100 ohms at 0°C, (DIN curve standard 0.00385)
Linear	0-50 mV/10-50 mV, 0-20 mA/4-20 mA, 0-10 mV/0-50 mV, 0-100 mV, 0-1 V/0-5 V, 0-10 V, 1-5 V

## OUTPUTS

B	5 A/3 A (120/240 Vac) normally open
C	5 A/3 A (120/240 Vac) normally open w/o snubber
D	0 - 7 mA
E	0-20 mA
F	4-20 mA, full output to load 500 ohm impedance max
G	4-20 mA, full output to load 800 ohm impedance max
P	20 Vdc or 35 mA
S	20 Vdc or 17 mA
T	1 A, Solid-state relay

## OUTPUTS (continued)

V	0 to 5 Vdc
X	0 to 10 Vdc
Y	1 A, normally closed relay

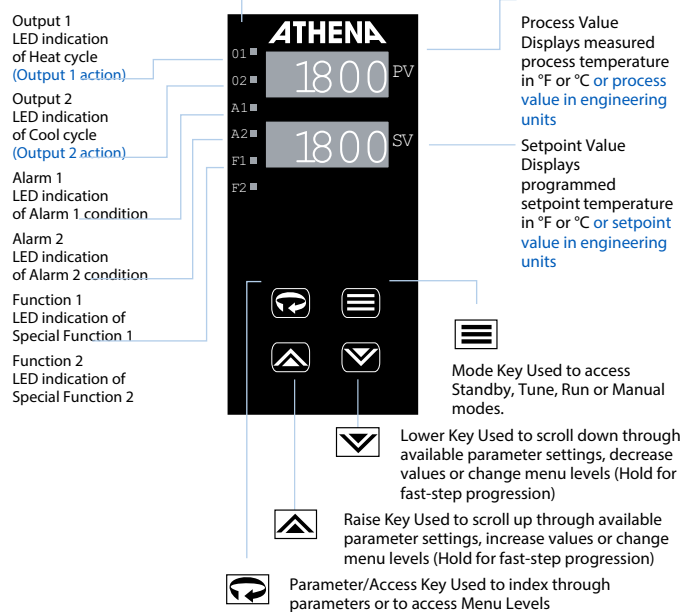
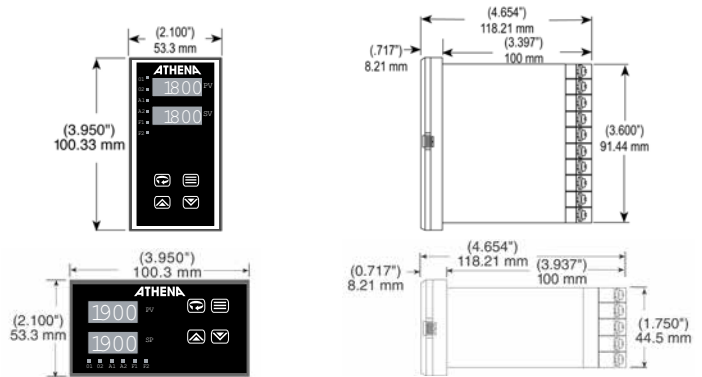
## ALARM TYPE

B	5 A/3 A (120/240 Vac), mechanical relay
S	24 V, 20 mA
T	SSR, NC, 24-240 Vac

## MECHANICAL CHARACTERISTICS

Display	Dual, 4-digit 0.36" (9.2 mm) LED display Process Value: Orange Setpoint Value: Green
Numeric Range	-1999 to 9999
Front Panel Rating	NEMA 4X (IP65)
Front Panel Cutout	3.622" x 1.771" (92 mm x 45 mm)
Connections	Screw terminals

Specifications subject to change without notice.



Athena Controls, Inc.  
5145 Campus Drive, Plymouth Meeting, PA 19462 -1129 USA  
Toll Free: 1.800.782.6776; T: 1.610.828.2490  
F: 1.610.828.7084; Email: mktg@athenacontrols.com